



Main

| | |
|---------------------------|-----------------------------------------------------------------------------------------------------------|
| Range of product | Harmony GTO |
| Product or component type | Advanced touchscreen panel |
| Display colour | 65536 colours |
| Display size | 3.5 inch |
| Supply | External source |
| Control button type | 6 operation defined using Vijeo Designer push-button key F1...F6 |
| Operating system | Harmony |
| Battery type | Lithium battery for internal RAM, autonomy: 100 days, charging time = 5 day(s), battery life = 10 year(s) |

Complementary

| | |
|--------------------------------|-------------------------------------------------------------------------------------------------------------------------------------------------------------------------------------------------------------------------------------------------------------------------------------------------------------------------------------------------------------------------------------|
| Terminal type | Touchscreen display |
| Display type | Backlit colour TFT LCD |
| Display resolution | 320 x 240 pixels QVGA |
| Touch sensitive zone | 1024 x 1024 |
| Touch panel | Resistive film, 1000000 cycles |
| Backlight lifespan | 50000 hours white at 25 °C |
| Brightness | 16 levels - control by touch panel 16 levels - control by software |
| Character font | Chinese (simplified Chinese) Korean Taiwanese (traditional Chinese) Japanese (ANK, Kanji) ASCII (European characters) |
| [Us] rated supply voltage | 24 V DC |
| Supply voltage limits | 19.2...28.8 V |
| Inrush current | 30 A |
| Maximum power consumption in W | 5.2 W when power is not supplied to external devices 4.2 W when backlight is OFF 4.3 W when backlight is dimmed 9.6 W |
| Local signalling | Status LED green, steady for offline Status LED green, steady for operating Status LED orange, flashing for software starting up Status LED red, steady for power supply (ON) Status LED clear, faded for power supply (OFF) |
| Software designation | Vijeo Designer configuration software >= V6.1 |
| Memory description | Flash EPROM, 96 MB |
| Data backed up | 512 kB internal RAM (SRAM) |
| Data storage equipment | SD card, <= 32 GB SDHC card, <= 32 GB |
| Downloadable protocols | Schneider Electric Modicon Modbus Schneider Electric Modicon Uni-TE Schneider Electric Modicon Modbus Plus Schneider Electric Modicon FIPWAY Mitsubishi Melsec third party protocols Omron Sysmac third party protocols Rockwell Automation Allen-Bradley third party protocols Siemens Simatic third party protocols Schneider Electric Modicon Modbus TCP |

The information provided in this documentation contains general descriptions and/or technical characteristics of the performance of the products contained herein. This documentation is not intended as a substitute for and is not to be used for determining suitability or reliability of these products for specific user applications. It is the duty of any such user or integrator to perform the appropriate and complete risk analysis, evaluation and testing of the products with respect to the relevant specific application or use thereof. Neither Schneider Electric Industries SAS nor any of its affiliates or subsidiaries shall be responsible or liable for misuse of the information contained herein.

| | |
|----------------------------|-------------------------------------------------------------------------------------------------------------------------------------------------------------------------------------------------------------------------------------------------------------------------------------------------------------------------------------|
| Integrated connection type | COM1 serial link RJ45, interface: RS232C/RS485, transmission rate: 2400...115200 bps COM1 serial link RJ45, interface: RS232C/RS485, transmission rate: 187.5 kbps compatible with Siemens MPI Ethernet RJ45, interface: 10BASE-T/100BASE-TX Ethernet RJ45, interface: IEEE 802.3 USB 2.0 type A USB 2.0 type mini B |
| Product mounting | Flush mounting |
| Fixing mode | By 4 screw clamps |
| Front material | PPT |
| Enclosure material | PPT |
| Type of cooling | Natural convection |
| Width | 132 mm |
| Height | 106 mm |
| Depth | 42 mm |
| Net weight | 0.4 kg |

Environment

| | |
|---------------------------------------|------------------------------------------------------------------------------------------------------------------------------------------------------------------------------------------------------------------------|
| Standards | IEC 61000-6-2 UL 508 EN 61131-2 |
| Product certifications | KCC CULus C-Tick CE |
| Ambient air temperature for operation | 0...50 °C |
| Ambient air temperature for storage | -20...60 °C |
| Relative humidity | 10...90 % without condensation |
| Operating altitude | < 2000 m |
| IP degree of protection | IP20 (rear panel) conforming to IEC 60529 IP65 (front panel) conforming to IEC 60529 |
| NEMA degree of protection | NEMA 4X front panel (indoor use) |
| Shock resistance | 147 m/s ² 3 chocks in each direction X, Y and Z conforming to EN/IEC 61131-2 |
| Vibration resistance | 3.5 mm (f = 5...9 Hz) - X, Y, Z directions for 10 cycles (approx. 100 min) - conforming to EN/IEC 61131-2 1 gn (f = 9...150 Hz) - X, Y, Z directions for 10 cycles (approx. 100 min) - conforming to EN/IEC 61131-2 |
| Resistance to electrostatic discharge | 6 kV contact discharge conforming to IEC 61000-4-2 level 3 |

Packing Units

| | |
|------------------------------|----------|
| Unit Type of Package 1 | PCE |
| Number of Units in Package 1 | 1 |
| Package 1 Weight | 780.0 g |
| Package 1 Height | 12.5 cm |
| Package 1 width | 18.5 cm |
| Package 1 Length | 21.0 cm |
| Unit Type of Package 2 | S03 |
| Number of Units in Package 2 | 4 |
| Package 2 Weight | 3.612 kg |
| Package 2 Height | 30.0 cm |
| Package 2 width | 30.0 cm |
| Package 2 Length | 40.0 cm |

Offer Sustainability

| | |
|----------------------------|-----------------------------------------------------------------------------------------------------------------------------|
| Sustainable offer status | Green Premium product |
| REACH Regulation | REACH Declaration |
| REACH free of SVHC | Yes |
| EU RoHS Directive | Pro-active compliance (Product out of EU RoHS legal scope) EU RoHS Declaration |
| Mercury free | Yes |
| RoHS exemption information | Yes |
| China RoHS Regulation | China RoHS Declaration |
| WEEE | The product must be disposed on European Union markets following specific waste collection and never end up in rubbish bins |

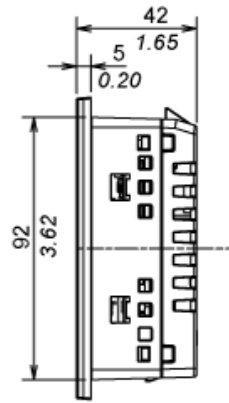
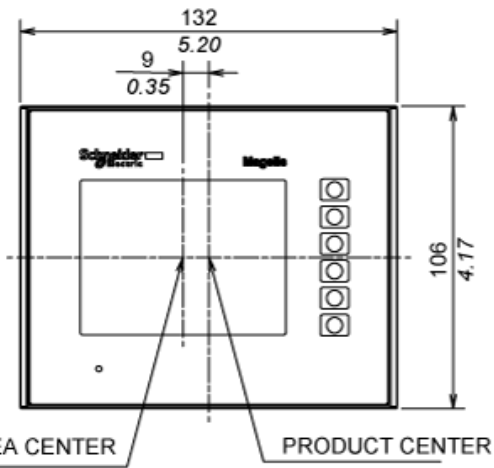
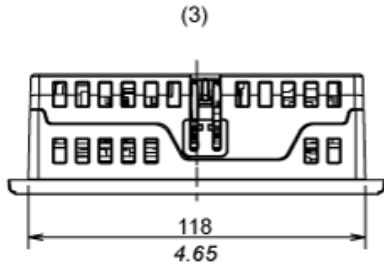
Contractual warranty

| | |
|----------|-----------|
| Warranty | 18 months |
|----------|-----------|

Dimensions

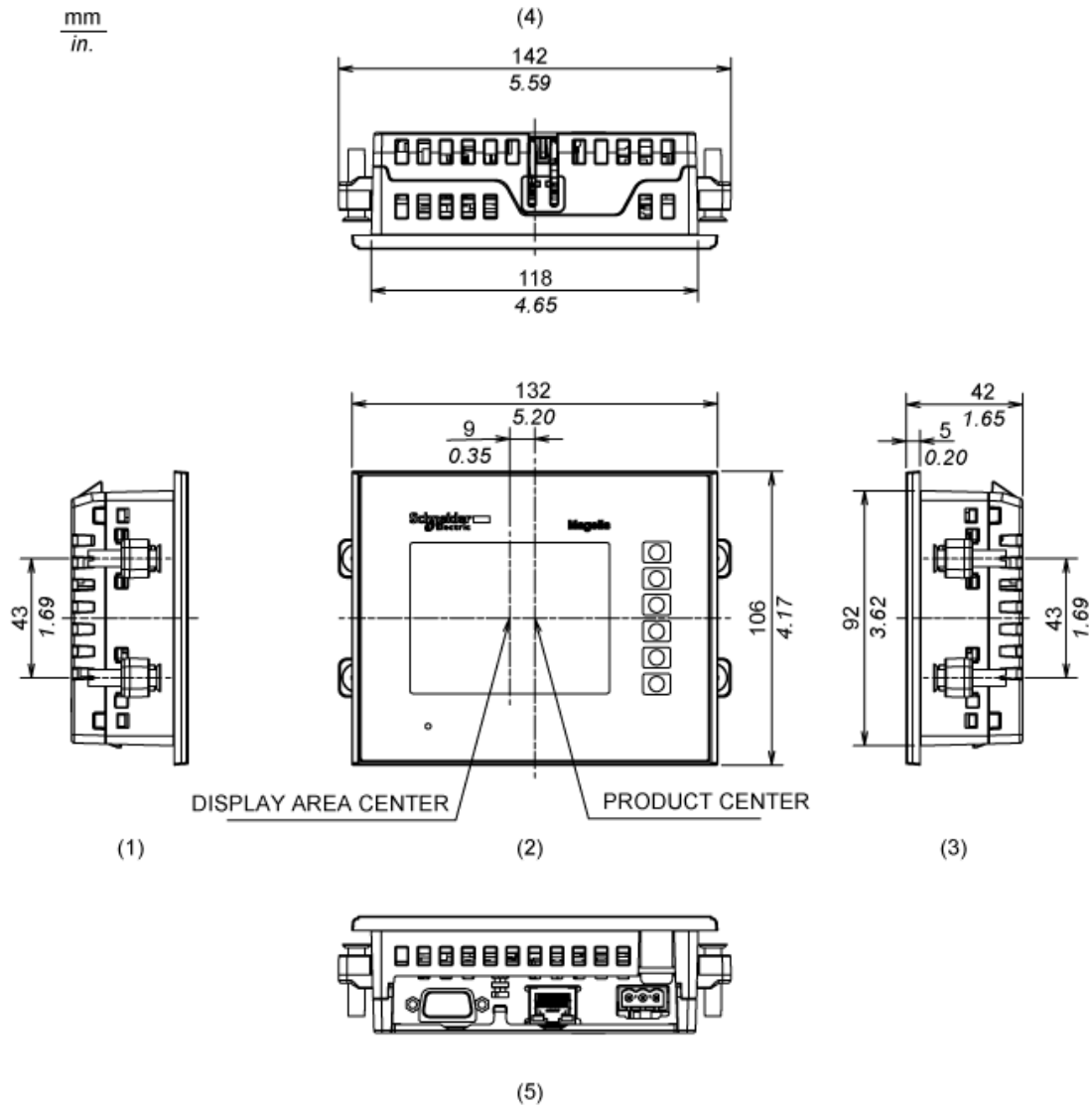
External Dimensions

$\frac{\text{mm}}{\text{in.}}$



- 1 Front
- 2 Right Side
- 3 Top

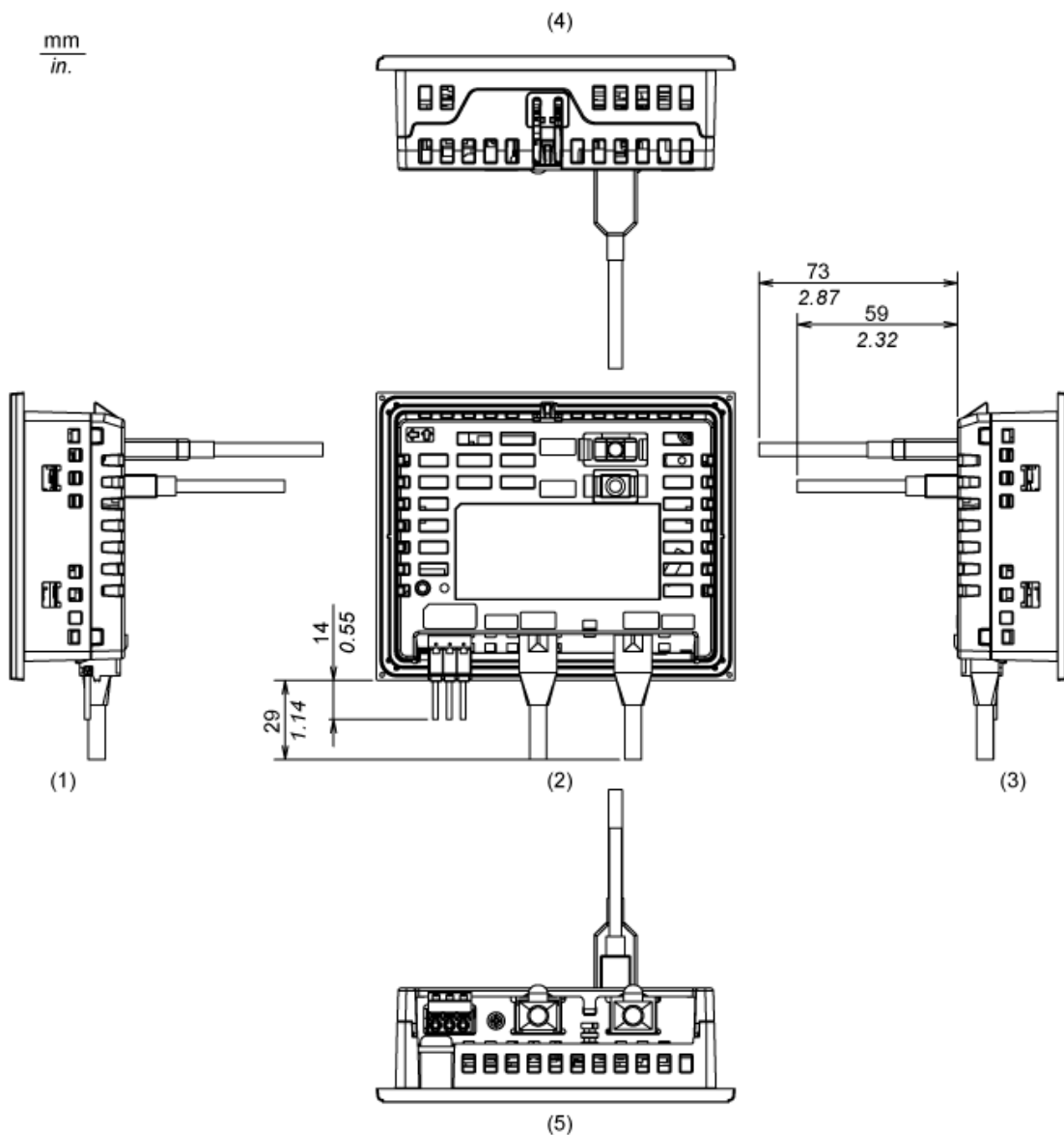
Installation with Installation Fasteners



- 1 Left Side
- 2 Front
- 3 Right Side
- 4 Top
- 5 Bottom

Dimensions with Cables

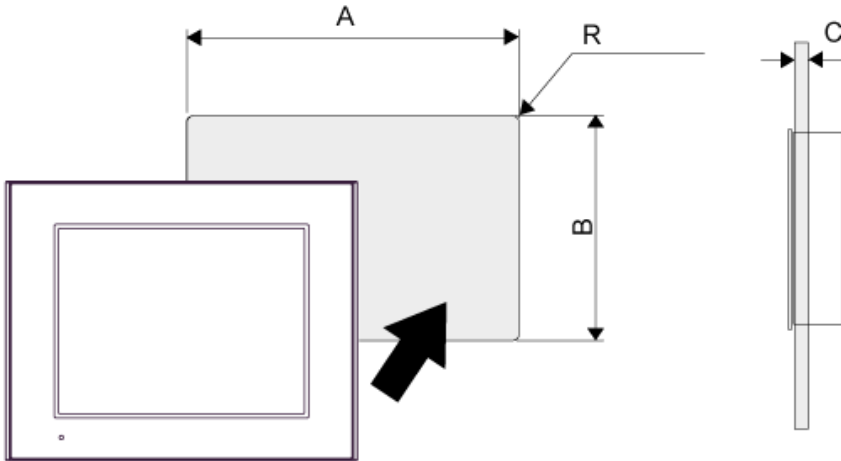
mm
in.



- 1 Left Side
- 2 Rear
- 3 Right Side
- 4 Top
- 5 Bottom

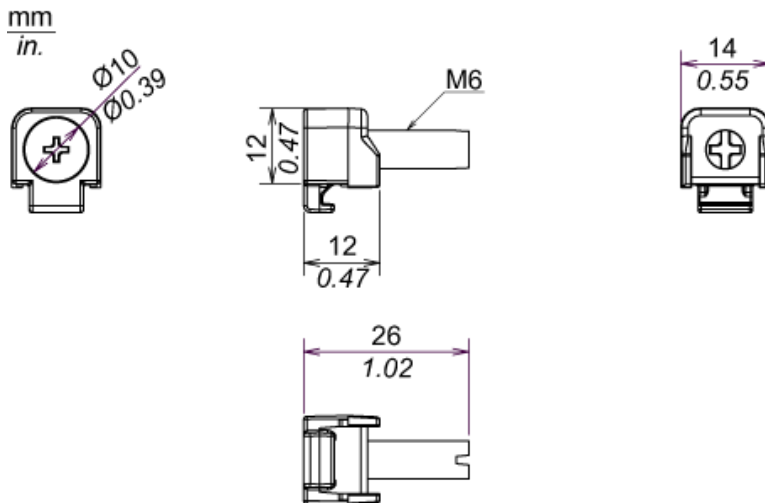
Mounting

Panel Cut Dimensions



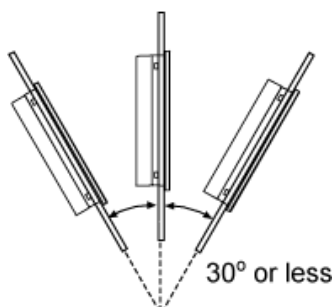
| A | | B | | C | | R | |
|----------------|------------------|---------------|------------------|---------|------------|--------|-----------|
| mm | in. | mm | in. | mm | in. | mm | in. |
| 118.5 (+1, -0) | 4.67 (+0.04, -0) | 92.5 (+1, -0) | 3.64 (+0.04, -0) | 1.6...5 | 0.06...0.2 | 3 max. | 0.12 max. |

Installation Fastener Dimensions



Installation Requirements

Mounting Angle



When installing the panel in a slanted position with an incline more than 30°, the ambient temperature must not exceed 40 °C (104 °F). You may need to use forced air cooling (fan,A/C) to ensure the ambient operating temperature is 40°C or less (104 °F or less).

Clearance

