

Part no. **M22-I3-M1**

Article no. **216532**

Program

Contact sequence			
Number of locations		Qty.	3
Auxiliary contacts: = safety function, by positive opening to IEC/EN 60947-5-1			
N/O = Normally open			3 N/O
N/C = Normally closed			3 N/C
Colour of enclosure top			
Button plate			
			Green, red, green
Notes			
Switch positions 0, I and II correspond with the position of the actuator as viewed from the front.			

Approbationen

UL approval	Yes
CSA approval	Yes
Product Standards	IEC/EN 60947-5; UL 508; CSA-C22.2 No. 14-05; CSA-C22.2 No. 94-91; CE marking
UL File No.	E29184
UL CCN	NKCR
CSA File No.	012528
CSA Class No.	3211-03
NA Certification	UL listed, CSA certified
Degree of Protection	UL/CSA Type 3R, 4X, 12, 13

General

Standards			IEC/EN 60947 VDE 0660
Lifespan, mechanical	Operations	x 10 ⁶	> 5
Operating frequency	Operations/h		3600
Actuating force		n	5
Protection type			IP67, IP69K
Climatic proofing			Damp heat, constant to IEC 60068-2-78 Damp heat, cyclic to IEC 60068-2-30
Ambient temperature		°C	
Open		°C	- 25 - + 70
Mounting position			As required
Mechanical shock resistance		g	30 Shock duration 11 ms Sinusoidal according to IEC 60068-2-27
Cable entry knockouts			
Base		Quantity x M...	2 x 20
Sides		Quantity x M...	2 x 20 2 x 25/20

Technical data according to ETIM 4.0

Protection type (IP)			IP67
Number of contacts as N/Cs			2

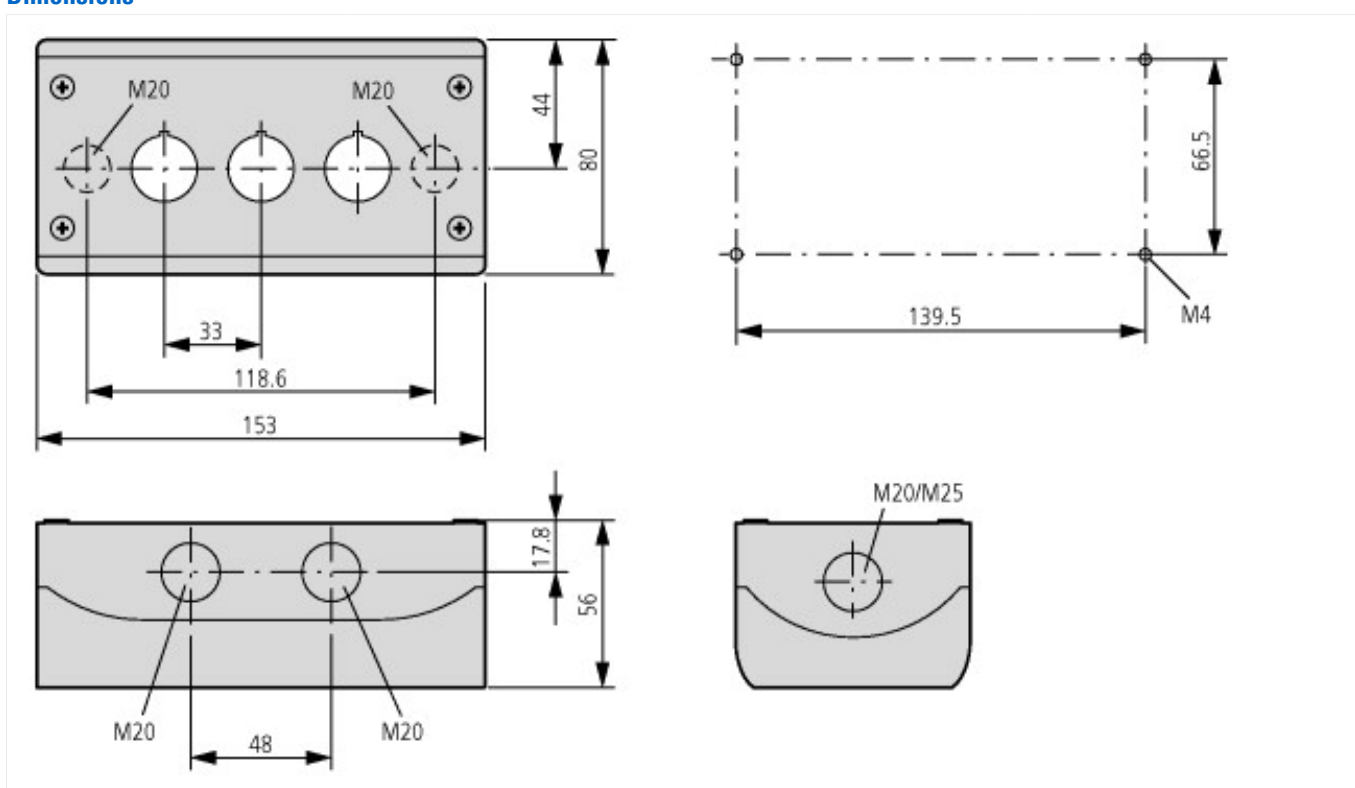
Housing material			Insulated material
Number of contacts as changeover contact			0
Color housing cover			gray
Number of mushroom pushbuttons			0
Number of selector switches			0
Number of key switches			0
Number of contacts as N/O			2
Rated control voltage Us at AC 50HZ		V	500
Rated control voltage Us at DC		V	230
Number of indicator lights			0
Suitable for emergency switching off			No
Number of pushbutton actuators			1
Rated control voltage Us at AC 60HZ		V	500
Number of locations			3

CAD-Data

Product standards CAD data:

<http://eaton-moeller.partcommunity.com>

Dimensions



Additional product information (links)

IL04716002Z (AWA1160-1745) RMQ-Titan System	ftp://ftp.moeller.net/DOCUMENTATION/AWA_INSTRUCTIONS/IL04716002Z2011_03.pdf
Engineering	
Key to part numbers	ftp://ftp.moeller.net/DOCUMENTATION/PDF/GB/TYPENSCHLUESSEL_RM-Q-TITAN_de.pdf
Engineering	ftp://ftp.moeller.net/DOCUMENTATION/PDF/GB/PRO_RMQTitan_D_de.pdf
Ordering example for custom complete units	ftp://ftp.moeller.net/DOCUMENTATION/PDF/GB/Bestellbeispiel_F0315_COMBINATION_de.pdf
Order form for custom complete units	ftp://ftp.moeller.net/DOCUMENTATION/PDF/GB/FORM_F0315_Combination_de.pdf