



### Main

|                              |   |
|------------------------------|---|
| Range of product             | Modicon M171/M172   |
| Product or component type    | Controller  |
| Product specific application | HVAC and pumping solution   |
| Variant                      | Programmable  |
| Total inputs/outputs         | 22  |
| Discrete input number        | 6   |
| Discrete output number       | 1 for open collector<br>3 for relay outputs SPST with same common<br>2 for relay outputs SPST with independent common |
| Discrete output current      | 2 A for relay   |
| Analogue input number        | 2 configurable<br>3 analog input NTC  |
| Analogue output number       | 3 voltage, range: 0...10 V<br>2 PWM/PPM, range: 20 kHz, 12 V, 35 mA   |

### Complementary

|                           |   |
|---------------------------|---|
| Number of port            | 1 LAN expansion bus<br>1 RS485 - screw terminal block (Modbus serial link)  |
| Input/output number       | 5 analog output(s)<br>6 digital input(s)<br>5 analog input(s)<br>6 digital output(s)  |
| Discrete input logic      | Sink or source (positive/negative)  |
| Contacts usage            | Volt-free contacts  |
| Analogue input type       | Voltage 0...5 V (ratiometric)<br>Voltage 0...10 V<br>NTC temperature probe - 50...100 °C - resolution: 0.1 °C<br>Current 0...20 mA/4...20 mA<br>Voltage 0...1 V |
| Sensor power supply       | 12 V DC at 85 mA<br>5 V DC at 20 mA   |
| [Us] rated supply voltage | 12...24 V<br>24 V   |
| Width                     | 140 mm  |
| Height                    | 110 mm  |
| Depth                     | 61.6 mm   |
| Net weight                | 0.385 kg  |

### Packing Units

|                              |          |
|------------------------------|----------|
| Unit Type of Package 1       | PCE      |
| Number of Units in Package 1 | 1        |
| Package 1 Weight             | 240.0 g  |
| Package 1 Height             | 13.0 cm  |
| Package 1 width              | 9.0 cm   |
| Package 1 Length             | 12.5 cm  |
| Unit Type of Package 2       | S02      |
| Number of Units in Package 2 | 8        |
| Package 2 Weight             | 2.231 kg |
| Package 2 Height             | 15.0 cm  |

|                  |         |
|------------------|---------|
| Package 2 width  | 30.0 cm |
| Package 2 Length | 40.0 cm |

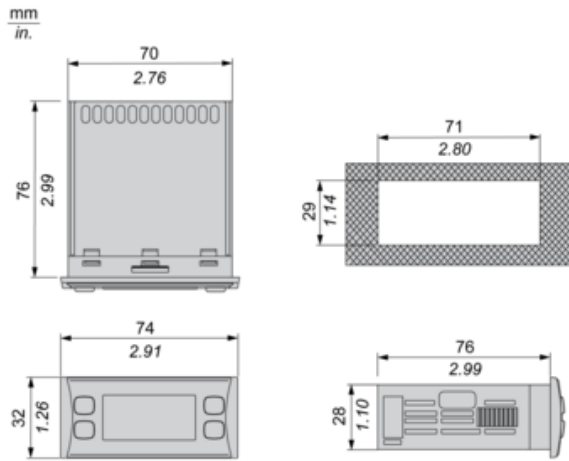
## Offer Sustainability

|                            |   |
|----------------------------|---|
| REACH Regulation           | <a href="#">REACH Declaration</a>   |
| REACH free of SVHC         | Yes   |
| EU RoHS Directive          | Pro-active compliance (Product out of EU RoHS legal scope) <a href="#">EU RoHS Declaration</a>                              |
| Mercury free               | Yes   |
| RoHS exemption information | <a href="#">Yes</a>   |
| China RoHS Regulation      | <a href="#">China RoHS Declaration</a>  |
| WEEE                       | The product must be disposed on European Union markets following specific waste collection and never end up in rubbish bins |

## Contractual warranty

|          |           |
|----------|-----------|
| Warranty | 18 months |
|----------|-----------|

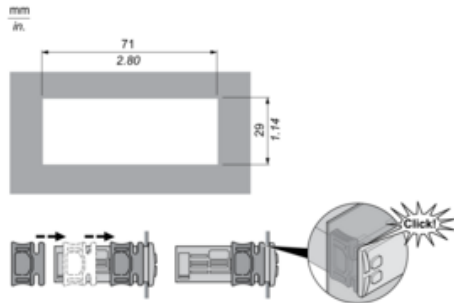
Dimensions



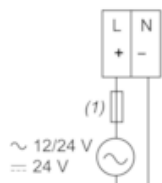
---

Mounting on Panel with the Special Brackets Provided

---

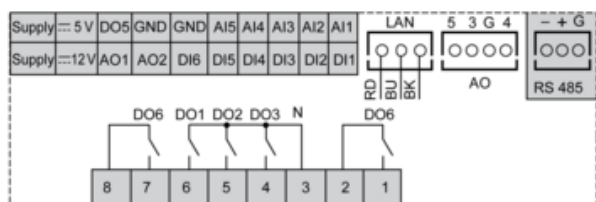
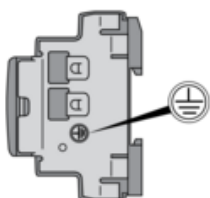


Power Supply



(1) Type T fuse (Controller: 1.25 A , Expansion: 1 A)

Wiring Diagram



- N : Neutral
- GND : Ground
- BK : Black
- BU : Blue
- RD : Red
- AI : Analogue input
- AO : Analogue output
- DI : Digital input
- DO : Digital output